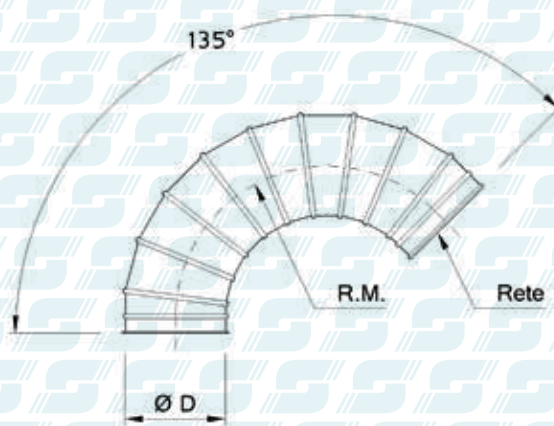


# TERMINALE 135° CON RETE

EXHAUST BEND 135° WITH SAFETY GRID



Cod. Art.	ØD [mm]	Gradi Deg.	R.M. M.R.	Sp./Thk [mm]	Prezzo €
5T135-0080	80	135°	120	0,8	
T135-0100	100	135°	150	0,8	
T135-0120	120	135°	180	0,8	
T135-0140	140	135°	210	0,8	
T135-0150	150	135°	225	0,8	
T135-0160	160	135°	240	0,8	
T135-0180	180	135°	270	0,8	
T135-0200	200	135°	300	0,8	
T135-0220	220	135°	330	0,8	
T135-0240	240	135°	360	0,8	
T135-0250	250	135°	375	0,8	
T135-0260	260	135°	390	0,8	
T135-0280	280	135°	420	0,8	
T135-0300	300	135°	450	0,8	
T135-0320	320	135°	480	0,8	
T135-0340	340	135°	510	0,8	
T135-0350	350	135°	525	0,8	
T135-0360	360	135°	540	0,8	
T135-0380	380	135°	570	0,8	
T135-0400	400	135°	600	0,8	
T135-0420	420	135°	630	0,8	
T135-0440	440	135°	660	0,8	
T135-0450	450	135°	675	0,8	
T135-0460	460	135°	690	0,8	
T135-0480	480	135°	720	0,8	
T135-0500	500	135°	500	1,0	
T135-0520	520	135°	520	1,0	
T135-0540	540	135°	540	1,0	

Cod. Art.	ØD [mm]	Gradi Deg.	R.M. M.R.	Sp./Thk [mm]	Prezzo €
T135-0550	550	135°	550	1,0	
T135-0560	560	135°	560	1,0	
T135-0580	580	135°	580	1,0	
T135-0600	600	135°	600	1,0	
T135-0620	620	135°	620	1,0	
T135-0640	640	135°	640	1,0	
T135-0650	650	135°	650	1,0	
T135-0660	660	135°	660	1,0	
T135-0680	680	135°	680	1,0	
T135-0700	700	135°	700	1,0	
T135-0720	720	135°	720	1,0	
T135-0740	740	135°	740	1,0	
T135-0750	750	135°	750	1,0	
T135-0760	760	135°	760	1,0	
T135-0780	780	135°	780	1,0	
T135-0800	800	135°	800	1,0	
T135-0820	820	135°	820	1,0	
T135-0840	840	135°	840	1,0	
T135-0850	850	135°	850	1,0	
T135-0860	860	135°	860	1,0	
T135-0880	880	135°	880	1,0	
T135-0900	900	135°	900	1,0	
T135-0920	920	135°	920	1,0	
T135-0940	940	135°	940	1,0	
T135-0950	950	135°	950	1,0	
T135-0960	960	135°	960	1,0	
T135-0980	980	135°	980	1,0	
T135-1000	1000	135°	1000	1,0	

Su richiesta si eseguono spessori e materiali diversi.

Il prodotto può essere realizzato in 4 versioni: • bordo anello • bordo manicotto • liscio • flangiato (con aggiunta costo flangia).

Other thicknesses and materials are available on request.

The product can be produced in 4 different versions: • ring edge • sleeve edge • smooth • flanged (with the additional cost of the flange).