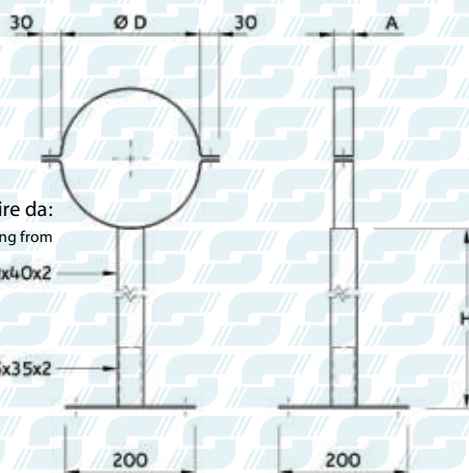


Tubolare e Piastre in base al diametro a partire da:

Tubular and Plate according to the diameter starting from

Tubo 40x40x2

Tubo 35x35x2



Cod. Art.	ØD [mm]	A [mm]	H [mm]	Sp./Thk [mm]	Prezzo €
SPST-0080	80	30	1000	2,0	
SPST-0100	100	30	1000	2,0	
SPST-0120	120	30	1000	2,0	
SPST-0140	140	30	1000	2,0	
SPST-0150	150	30	1000	2,0	
SPST-0160	160	30	1000	2,0	
SPST-0180	180	30	1000	2,0	
SPST-0200	200	30	1000	2,0	
SPST-0220	220	30	1000	2,0	
SPST-0240	240	30	1000	2,0	
SPST-0250	250	30	1000	2,0	
SPST-0260	260	30	1000	2,0	
SPST-0280	280	30	1000	2,0	
SPST-0300	300	30	1000	2,0	
SPST-0320	340	30	1000	3,0	
SPST-0340	340	30	1000	3,0	
SPST-0350	350	30	1000	3,0	
SPST-0360	360	30	1000	3,0	
SPST-0380	380	30	1000	3,0	
SPST-0400	400	30	1000	3,0	
SPST-0420	420	30	1000	3,0	
SPST-0440	440	30	1000	3,0	
SPST-0450	450	30	1000	3,0	
SPST-0460	460	30	1000	3,0	
SPST-0480	480	30	1000	3,0	
SPST-0500	500	30	1000	3,0	
SPST-0520	520	50	1000	3,0	
SPST-0540	540	50	1000	3,0	

Cod. Art.	ØD [mm]	A [mm]	H [mm]	Sp./Thk [mm]	Prezzo €
SPST-0550	550	50	1000	3,0	
SPST-0560	560	50	1000	3,0	
SPST-0580	580	50	1000	3,0	
SPST-0600	600	50	1000	3,0	
SPST-0620	620	50	1000	3,0	
SPST-0640	640	50	1000	3,0	
SPST-0650	650	50	1000	3,0	
SPST-0660	660	50	1000	3,0	
SPST-0680	680	50	1000	3,0	
SPST-0700	700	50	1000	3,0	
SPST-0720	720	100	1000	5,0	
SPST-0740	740	100	1000	5,0	
SPST-0750	750	100	1000	5,0	
SPST-0760	760	100	1000	5,0	
SPST-0780	780	100	1000	5,0	
SPST-0800	800	100	1000	5,0	
SPST-0820	820	100	1000	5,0	
SPST-0840	840	100	1000	5,0	
SPST-0850	850	100	1000	5,0	
SPST-0860	860	100	1000	5,0	
SPST-0880	880	100	1000	5,0	
SPST-0900	900	100	1000	5,0	
SPST-0920	920	100	1000	5,0	
SPST-0940	940	100	1000	5,0	
SPST-0950	950	100	1000	5,0	
SPST-0960	960	100	1000	5,0	
SPST-0980	980	100	1000	5,0	
SPST-1000	1000	100	1000	5,0	

Su richiesta si eseguono altezze, spessori e materiali diversi.

I prezzi indicati non comprendono la bulloneria che viene fornita su richiesta.

Other heights, thicknesses and materials are available on request.

The listed prices do not include nuts and bolts which are provided on request.